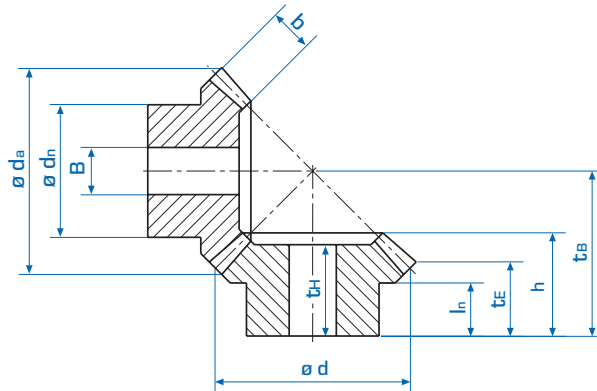


Kegelräder

Bevel gears

Ratio
i 1:1
 straight teeth
 pressure angle 20°
 Shaft angle 90°
 Steel: 1.0503 [C 45]

Übersetzung
i 1:1
 geradverzahnt,
 Eingriffswinkel 20°
 Achsenwinkel 90°
 mit balligtragenden
 Zahnflanken
 Stahl: 1.0503 [C 45]



| Modul | Zähnez. | d_a | d | b | l_H | d_n | B | t_B | h | t_H | t_E | [kg] | Bestell Nr. |
|--------|-----------|--------|-------|------|-------|-------|------|-------|------|-------|-------|-------|-------------|
| Module | No. teeth | | | | | | | | | | | | Part No. |
| 1,0 | 16 | 17,41 | 16,0 | 4,0 | 8,0 | 14,0 | 5,0 | 17,0 | 12,3 | 11,0 | 9,71 | 0,012 | 151-110-016 |
| | 19 | 20,41 | 19,0 | 4,5 | 8,0 | 16,0 | 6,0 | 19,0 | 13,1 | 12,0 | 10,21 | 0,018 | 151-110-019 |
| | 22 | 23,41 | 22,0 | 5,0 | 9,5 | 19,0 | 6,0 | 22,0 | 15,0 | 13,5 | 11,71 | 0,027 | 151-110-022 |
| | 26 | 27,41 | 26,0 | 6,0 | 10,0 | 22,0 | 8,0 | 25,0 | 16,7 | 15,5 | 12,71 | 0,042 | 151-110-026 |
| | 30 | 31,41 | 30,0 | 7,0 | 10,5 | 25,0 | 8,0 | 28,0 | 18,4 | 17,0 | 13,71 | 0,061 | 151-110-030 |
| 1,5 | 16 | 26,11 | 24,0 | 6,0 | 10,0 | 20,0 | 8,0 | 24,0 | 16,9 | 15,0 | 13,06 | 0,032 | 151-115-016 |
| | 19 | 30,62 | 28,5 | 6,5 | 10,5 | 24,0 | 8,0 | 27,0 | 18,0 | 16,0 | 13,81 | 0,053 | 151-115-019 |
| | 22 | 35,12 | 33,0 | 7,5 | 11,0 | 26,0 | 8,0 | 31,0 | 20,5 | 18,5 | 15,56 | 0,077 | 151-115-022 |
| | 26 | 41,11 | 39,0 | 8,5 | 13,0 | 28,0 | 10,0 | 35,0 | 22,2 | 20,5 | 16,56 | 0,105 | 151-115-026 |
| | 30 | 47,12 | 45,0 | 10,0 | 13,5 | 30,0 | 10,0 | 39,0 | 24,3 | 22,5 | 17,56 | 0,150 | 151-115-030 |
| 2,0 | 16 | 34,82 | 32,0 | 8,0 | 12,0 | 26,0 | 10,0 | 31,0 | 21,5 | 19,0 | 16,41 | 0,072 | 151-120-016 |
| | 19 | 40,82 | 38,0 | 9,0 | 12,0 | 30,0 | 10,0 | 35,0 | 23,2 | 21,0 | 17,41 | 0,115 | 151-120-019 |
| | 22 | 46,82 | 44,0 | 10,0 | 13,0 | 32,0 | 12,0 | 39,0 | 25,0 | 23,0 | 18,41 | 0,155 | 151-120-022 |
| | 26 | 54,82 | 52,0 | 11,5 | 14,0 | 36,0 | 12,0 | 45,0 | 28,0 | 26,0 | 20,41 | 0,242 | 151-120-026 |
| | 30 | 62,82 | 60,0 | 13,5 | 15,0 | 40,0 | 14,0 | 50,0 | 30,4 | 28,0 | 21,41 | 0,340 | 151-120-030 |
| 2,5 | 16 | 43,53 | 40,0 | 10,0 | 13,0 | 32,0 | 12,0 | 37,0 | 25,0 | 22,0 | 18,77 | 0,132 | 151-125-016 |
| | 19 | 51,03 | 47,5 | 11,0 | 14,5 | 38,0 | 12,0 | 43,0 | 28,1 | 25,0 | 21,02 | 0,220 | 151-125-019 |
| | 22 | 58,53 | 55,0 | 12,5 | 16,0 | 40,0 | 14,0 | 48,0 | 30,4 | 28,0 | 22,27 | 0,298 | 151-125-022 |
| | 26 | 68,53 | 65,0 | 14,5 | 17,0 | 45,0 | 16,0 | 54,0 | 32,8 | 30,0 | 23,27 | 0,433 | 151-125-026 |
| | 30 | 78,53 | 75,0 | 16,5 | 18,0 | 50,0 | 18,0 | 60,0 | 35,3 | 32,0 | 24,27 | 0,602 | 151-125-030 |
| 3,0 | 16 | 52,24 | 48,0 | 12,0 | 14,0 | 38,0 | 14,0 | 43,0 | 28,7 | 25,0 | 21,12 | 0,218 | 151-130-016 |
| | 19 | 61,24 | 57,0 | 13,5 | 16,0 | 40,0 | 14,0 | 49,0 | 31,3 | 28,0 | 22,62 | 0,315 | 151-130-019 |
| | 22 | 70,24 | 66,0 | 15,0 | 18,0 | 45,0 | 16,0 | 56,0 | 35,0 | 31,0 | 25,12 | 0,457 | 151-130-022 |
| | 26 | 82,24 | 78,0 | 17,0 | 20,0 | 52,0 | 18,0 | 65,0 | 39,3 | 36,0 | 28,12 | 0,737 | 151-130-026 |
| | 30 | 94,24 | 90,0 | 19,5 | 22,0 | 60,0 | 20,0 | 73,0 | 43,1 | 39,0 | 30,12 | 1,08 | 151-130-030 |
| 3,5 | 16 | 60,94 | 56,0 | 14,0 | 16,5 | 45,0 | 16,0 | 50,0 | 33,4 | 29,0 | 24,48 | 0,353 | 151-135-016 |
| | 19 | 71,44 | 66,5 | 16,0 | 18,0 | 50,0 | 16,0 | 57,0 | 36,5 | 32,0 | 26,22 | 0,540 | 151-135-019 |
| | 22 | 81,94 | 77,0 | 17,5 | 20,0 | 55,0 | 18,0 | 64,0 | 39,4 | 35,0 | 27,98 | 0,745 | 151-135-022 |
| | 26 | 95,94 | 91,0 | 20,0 | 21,0 | 60,0 | 20,0 | 73,0 | 43,2 | 39,0 | 29,65 | 1,11 | 151-135-026 |
| | 30 | 109,94 | 105,0 | 23,0 | 23,0 | 70,0 | 22,0 | 83,0 | 48,3 | 44,0 | 32,98 | 1,70 | 151-135-030 |

Sollten Sie andere Abmessungen benötigen, helfen Ihnen unsere Konstrukteure gerne weiter.

If you need other dimensions - please contact our engineering department.

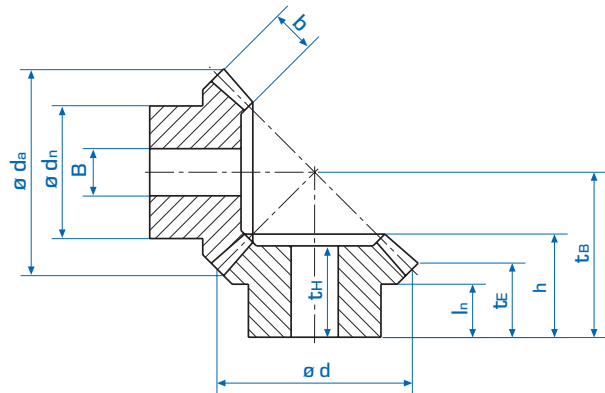
Kegelräder

Bevel gears

Ratio
i 1:1
straight teeth
pressure angle 20°
Shaft angle 90°
 Steel: 1.0503 [C 45]

Übersetzung
 i 1:1

geradverzahnt
 Eingriffswinkel 20°
 Achsenwinkel 90°
 mit balligtragenden
 Zahnflanken
 Stahl: 1.0503 [C 45]



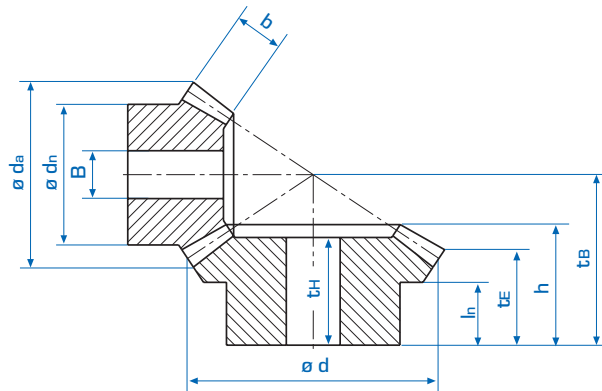
| Modul | Zähnez. | d_a | d | b | l_n | d_n | B | t_B | h | t_H | t_E | [kg] | Bestell Nr. |
|--------|-----------|--------|-------|------|-------|-------|------|-------|------|-------|-------|-------|-------------|
| Module | No. teeth | | | | | | | | | | | | Part No. |
| 4,0 | 16 | 69,65 | 64,0 | 16,0 | 18,0 | 50,0 | 18,0 | 57,0 | 38,0 | 33,0 | 27,82 | 0,512 | 151-140-016 |
| | 19 | 81,65 | 76,0 | 18,0 | 20,0 | 55,0 | 18,0 | 65,0 | 41,4 | 37,0 | 29,83 | 0,775 | 151-140-019 |
| | 22 | 93,65 | 88,0 | 20,0 | 22,0 | 60,0 | 20,0 | 73,0 | 45,0 | 40,0 | 31,83 | 1,08 | 151-140-022 |
| | 26 | 109,65 | 104,0 | 23,0 | 23,0 | 70,0 | 22,0 | 82,0 | 48,0 | 44,0 | 32,83 | 1,65 | 151-140-026 |
| | 30 | 125,65 | 120,0 | 26,0 | 25,0 | 80,0 | 25,0 | 92,0 | 52,2 | 48,0 | 34,83 | 2,41 | 151-140-030 |
| 4,5 | 16 | 78,36 | 72,0 | 18,0 | 21,0 | 58,0 | 20,0 | 64,0 | 42,6 | 38,0 | 31,18 | 0,755 | 151-145-016 |
| | 19 | 91,86 | 85,5 | 20,0 | 21,0 | 60,0 | 22,0 | 72,0 | 45,3 | 40,0 | 32,43 | 1,02 | 151-145-019 |
| | 22 | 105,36 | 99,0 | 22,5 | 23,0 | 70,0 | 25,0 | 81,0 | 49,4 | 44,0 | 34,68 | 1,54 | 151-145-022 |
| | 26 | 123,36 | 117,0 | 25,5 | 25,0 | 80,0 | 28,0 | 92,0 | 53,5 | 48,0 | 36,68 | 2,32 | 151-145-026 |
| | 30 | 141,36 | 135,0 | 29,0 | 30,0 | 85,0 | 30,0 | 104,0 | 59,0 | 54,0 | 39,68 | 3,26 | 151-145-030 |
| 5,0 | 16 | 87,07 | 80,0 | 20,0 | 22,5 | 65,0 | 22,0 | 70,0 | 46,3 | 41,0 | 33,54 | 1,03 | 151-150-016 |
| | 19 | 102,07 | 95,0 | 22,0 | 23,0 | 70,0 | 25,0 | 79,0 | 49,2 | 44,0 | 35,04 | 1,44 | 151-150-019 |
| | 22 | 117,07 | 110,0 | 25,0 | 25,0 | 80,0 | 28,0 | 89,0 | 54,0 | 48,0 | 37,54 | 2,12 | 151-150-022 |
| | 26 | 137,07 | 130,0 | 29,0 | 29,0 | 85,0 | 30,0 | 103,0 | 60,7 | 55,0 | 41,54 | 3,14 | 151-150-026 |
| | 30 | 157,07 | 150,0 | 32,0 | 32,0 | 90,0 | 35,0 | 116,0 | 66,0 | 60,0 | 44,54 | 4,25 | 151-150-030 |
| 6,0 | 16 | 104,46 | 96,0 | 22,5 | 24,0 | 80,0 | 25,0 | 80,0 | 50,7 | 44,0 | 36,24 | 1,69 | 151-160-016 |
| | 19 | 122,46 | 114,0 | 26,0 | 25,0 | 85,0 | 28,0 | 90,0 | 54,2 | 48,0 | 37,24 | 2,77 | 151-160-019 |
| | 22 | 140,46 | 132,0 | 30,0 | 26,0 | 95,0 | 30,0 | 100,0 | 58,0 | 51,0 | 38,24 | 4,10 | 151-160-022 |
| | 26 | 164,46 | 156,0 | 35,0 | 30,0 | 105,0 | 35,0 | 116,0 | 65,6 | 58,0 | 42,24 | 6,08 | 151-160-026 |
| | 30 | 188,46 | 180,0 | 40,0 | 33,0 | 120,0 | 40,0 | 132,0 | 73,2 | 66,0 | 46,24 | 9,16 | 151-160-030 |

Kegelräder

Bevel gears

Ratio
i 1:1,5
 straight teeth
 pressure angle 20°
 Shaft angle 90°
 Steel: 1.0503 [C 45]

Übersetzung
i 1:1,5
 geradverzahnt
 Eingriffswinkel 20°
 Achsenwinkel 90°
 mit balligtragenden
 Zahnflanken
 Stahl: 1.0503 [C 45]



| Modul | Zähnez. | d_a | d | b | l_n | d_n | B | t_B | h | t_H | t_E | [kg] | Bestell Nr. |
|--------|-----------|--------|-------|------|-------|-------|------|-------|------|-------|-------|-------|-------------|
| Module | No. teeth | | | | | | | | | | | | Part No. |
| 1,0 | 16 | 17,66 | 16,0 | 4,5 | 7,2 | 13,5 | 5,0 | 20,0 | 12,2 | 11,0 | 8,55 | 0,011 | 151-210-016 |
| | 24 | 25,11 | 24,0 | 4,5 | 9,3 | 21,0 | 6,0 | 20,0 | 15,1 | 13,5 | 12,83 | 0,035 | 151-210-024 |
| 1,5 | 16 | 26,49 | 24,0 | 7,0 | 10,6 | 20,0 | 8,0 | 30,0 | 18,4 | 17,0 | 12,83 | 0,036 | 151-215-016 |
| | 24 | 37,67 | 36,0 | 7,0 | 12,0 | 26,0 | 8,0 | 27,0 | 19,7 | 17,5 | 16,25 | 0,080 | 151-215-024 |
| 2,0 | 16 | 35,32 | 32,0 | 10,0 | 12,0 | 26,0 | 10,0 | 38,0 | 23,0 | 21,0 | 15,17 | 0,080 | 151-220-016 |
| | 24 | 50,22 | 48,0 | 10,0 | 15,0 | 35,0 | 12,0 | 35,0 | 25,7 | 23,0 | 20,66 | 0,185 | 151-220-024 |
| 2,5 | 16 | 44,16 | 40,0 | 12,5 | 13,5 | 32,0 | 12,0 | 46,0 | 27,3 | 25,0 | 17,40 | 0,146 | 151-225-016 |
| | 24 | 62,77 | 60,0 | 12,5 | 16,0 | 42,0 | 14,0 | 42,0 | 30,2 | 27,0 | 24,10 | 0,340 | 151-225-024 |
| 3,0 | 16 | 53,00 | 48,0 | 14,5 | 15,5 | 40,0 | 14,0 | 54,0 | 31,1 | 28,0 | 19,66 | 0,255 | 151-230-016 |
| | 24 | 75,32 | 72,0 | 14,5 | 18,0 | 50,0 | 16,0 | 49,0 | 34,6 | 30,0 | 27,50 | 0,555 | 151-230-024 |
| 3,5 | 16 | 61,82 | 56,0 | 17,0 | 17,0 | 47,0 | 16,0 | 62,0 | 35,4 | 32,0 | 21,94 | 0,400 | 151-235-016 |
| | 24 | 87,88 | 84,0 | 17,0 | 21,0 | 58,0 | 18,0 | 57,0 | 40,3 | 36,0 | 31,91 | 0,905 | 151-235-024 |
| 4,0 | 16 | 70,65 | 64,0 | 19,0 | 18,5 | 54,0 | 18,0 | 70,0 | 39,2 | 35,0 | 24,21 | 0,584 | 151-240-016 |
| | 24 | 100,43 | 96,0 | 19,0 | 24,0 | 66,0 | 20,0 | 65,0 | 45,7 | 40,0 | 36,32 | 1,330 | 151-240-024 |
| 4,5 | 16 | 79,48 | 72,0 | 21,5 | 21,0 | 60,0 | 20,0 | 79,0 | 44,5 | 40,0 | 27,50 | 0,833 | 151-245-016 |
| | 24 | 113,00 | 108,0 | 21,5 | 26,0 | 75,0 | 25,0 | 73,0 | 51,5 | 45,0 | 40,74 | 1,88 | 151-245-024 |
| 5,0 | 16 | 88,32 | 80,0 | 24,0 | 23,0 | 65,0 | 22,0 | 88,0 | 49,8 | 45,0 | 30,77 | 1,13 | 151-250-016 |
| | 24 | 125,54 | 120,0 | 24,0 | 28,0 | 85,0 | 30,0 | 80,0 | 56,0 | 49,0 | 44,16 | 2,55 | 151-250-024 |
| 6,0 | 16 | 105,96 | 96,0 | 28,5 | 24,7 | 80,0 | 25,0 | 102,0 | 55,9 | 50,0 | 33,33 | 2,05 | 151-260-016 |
| | 24 | 150,66 | 144,0 | 28,5 | 32,0 | 105,0 | 35,0 | 90,0 | 61,1 | 52,5 | 46,99 | 4,18 | 151-260-024 |

Sollten Sie andere Abmessungen benötigen, helfen Ihnen unsere Konstrukteure gerne weiter.

If you need other dimensions - please contact our engineering department.

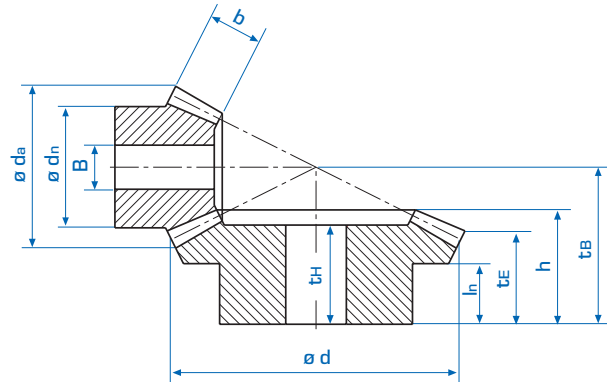
Kegelräder

Bevel gears

Ratio
i 1:2
 straight teeth
 pressure angle 20°
 Shaft angle 90°
 Steel: 1.0503 [C 45]

Übersetzung
 i 1:2

geradverzahnt,
 Eingriffswinkel 20°
 Achsenwinkel 90°
 mit balligtragenden
 Zahnflanken
 Stahl: 1.0503 [C 45]



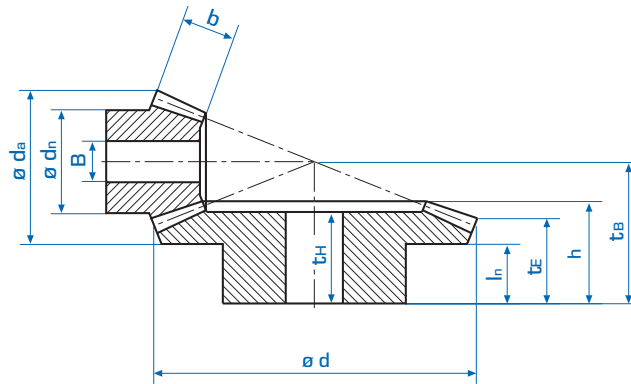
| Modul | Zähnez. | d_a | d | b | l_n | d_n | B | t_B | h | t_H | t_E | [kg] | Bestell Nr. |
|--------|-----------|--------|-------|------|-------|-------|------|-------|------|-------|-------|-------|-------------|
| Module | No. teeth | d_a | d | b | l_n | d_n | B | t_B | h | t_H | t_E | [kg] | Part No. |
| 1,0 | 15 | 16,79 | 15,0 | 5,0 | 8,0 | 12,5 | 5,0 | 23,0 | 12,8 | 12,0 | 8,45 | 0,010 | 151-310-015 |
| | 30 | 30,89 | 30,0 | 5,0 | 9,0 | 22,0 | 8,0 | 20,0 | 15,4 | 14,0 | 13,40 | 0,044 | 151-310-030 |
| 1,5 | 15 | 25,19 | 22,5 | 8,0 | 10,6 | 19,0 | 8,0 | 34,0 | 19,1 | 18,0 | 12,17 | 0,032 | 151-315-015 |
| | 30 | 46,34 | 45,0 | 8,0 | 13,0 | 32,0 | 10,0 | 28,0 | 21,2 | 19,0 | 18,09 | 0,133 | 151-315-030 |
| 2,0 | 15 | 33,58 | 30,0 | 11,5 | 12,0 | 25,0 | 10,0 | 43,0 | 23,8 | 22,0 | 13,89 | 0,071 | 151-320-015 |
| | 30 | 61,80 | 60,0 | 11,5 | 15,0 | 40,0 | 14,0 | 35,0 | 26,3 | 23,0 | 21,79 | 0,278 | 151-320-030 |
| 2,5 | 15 | 41,98 | 37,5 | 14,5 | 14,0 | 31,0 | 12,0 | 53,0 | 29,2 | 27,0 | 16,62 | 0,140 | 151-325-015 |
| | 30 | 77,25 | 75,0 | 14,5 | 17,0 | 50,0 | 18,0 | 42,0 | 30,9 | 27,0 | 25,49 | 0,510 | 151-325-030 |
| 3,0 | 15 | 50,37 | 45,0 | 17,0 | 16,0 | 38,0 | 14,0 | 63,0 | 34,0 | 32,0 | 19,34 | 0,245 | 151-330-015 |
| | 30 | 92,70 | 90,0 | 17,0 | 19,0 | 60,0 | 20,0 | 49,0 | 35,8 | 31,0 | 29,18 | 0,880 | 151-330-030 |
| 3,5 | 15 | 58,77 | 52,5 | 19,5 | 18,5 | 44,0 | 16,0 | 73,0 | 38,9 | 36,0 | 22,06 | 0,38 | 151-335-015 |
| | 30 | 108,15 | 105,0 | 19,5 | 22,0 | 70,0 | 22,0 | 57,0 | 41,5 | 36,0 | 33,88 | 1,41 | 151-335-030 |
| 4,0 | 15 | 67,16 | 60,0 | 22,0 | 20,5 | 50,0 | 18,0 | 83,0 | 43,8 | 41,0 | 24,79 | 0,56 | 151-340-015 |
| | 30 | 123,60 | 120,0 | 22,0 | 25,0 | 80,0 | 25,0 | 65,0 | 47,1 | 42,0 | 38,58 | 2,13 | 151-340-030 |
| 4,5 | 15 | 75,56 | 67,5 | 25,0 | 22,5 | 55,0 | 20,0 | 93,0 | 49,2 | 46,0 | 27,51 | 0,78 | 151-345-015 |
| | 30 | 139,02 | 135,0 | 25,0 | 28,0 | 90,0 | 30,0 | 73,0 | 53,0 | 47,0 | 43,27 | 2,99 | 151-345-030 |
| 5,0 | 15 | 83,95 | 75,0 | 28,0 | 24,0 | 60,0 | 22,0 | 103,0 | 54,5 | 51,0 | 30,23 | 1,06 | 151-350-015 |
| | 30 | 154,46 | 150,0 | 28,0 | 30,0 | 100,0 | 35,0 | 80,0 | 57,9 | 51,0 | 46,97 | 3,98 | 151-350-030 |
| 6,0 | 15 | 100,74 | 90,0 | 32,5 | 26,2 | 75,0 | 25,0 | 120,0 | 60,8 | 56,0 | 32,68 | 1,82 | 151-360-015 |
| | 30 | 185,34 | 180,0 | 32,5 | 33,0 | 120,0 | 40,0 | 90,0 | 63,2 | 54,0 | 50,37 | 5,84 | 151-360-030 |

Kegelräder

Bevel gears

Ratio
i 1:2,5
 straight teeth
 pressure angle 20°
 Shaft angle 90°
 Steel: 1.0503 [C 45]

Übersetzung
i 1:2,5
 geradverzahnt
 Eingriffswinkel 20°
 Achsenwinkel 90°
 mit balligtragenden
 Zahnflanken
 Stahl: 1.0503 [C 45]



| Modul | Zähnez. | d_a | d | b | l_n | d_n | B | t_B | h | t_H | t_E | [kg] | Bestell Nr. |
|--------|-----------|--------|-------|------|-------|-------|------|-------|------|-------|-------|-------|-------------|
| Module | No. teeth | | | | | | | | | | | | Part No. |
| 1,0 | 16 | 17,86 | 16,0 | 6,0 | 7,5 | 13,5 | 5,0 | 28,0 | 13,8 | 13,0 | 8,37 | 0,013 | 151-410-016 |
| | 40 | 40,74 | 40,0 | 6,0 | 9,0 | 25,0 | 8,0 | 21,0 | 15,9 | 14,0 | 13,93 | 0,075 | 151-410-040 |
| 1,5 | 16 | 26,79 | 24,0 | 9,0 | 11,2 | 20,0 | 8,0 | 42,0 | 20,7 | 19,5 | 12,56 | 0,041 | 151-415-016 |
| | 40 | 61,11 | 60,0 | 9,0 | 13,5 | 38,0 | 12,0 | 30,0 | 22,3 | 20,0 | 19,39 | 0,232 | 151-415-040 |
| 2,0 | 16 | 35,71 | 32,0 | 13,5 | 14,0 | 26,0 | 12,0 | 55,0 | 28,0 | 26,0 | 15,74 | 0,091 | 151-420-016 |
| | 40 | 81,48 | 80,0 | 13,5 | 18,0 | 50,0 | 18,0 | 39,0 | 29,2 | 26,0 | 24,85 | 0,515 | 151-420-040 |
| 2,5 | 16 | 44,64 | 40,0 | 17,0 | 15,5 | 32,0 | 14,0 | 67,0 | 33,4 | 32,0 | 17,93 | 0,174 | 151-425-016 |
| | 40 | 101,85 | 100,0 | 17,0 | 20,0 | 60,0 | 20,0 | 46,0 | 33,9 | 30,0 | 28,32 | 0,930 | 151-425-040 |
| 3,0 | 16 | 53,56 | 48,0 | 20,0 | 17,5 | 40,0 | 16,0 | 79,0 | 38,3 | 36,0 | 20,11 | 0,305 | 151-430-016 |
| | 40 | 122,22 | 120,0 | 20,0 | 23,0 | 70,0 | 22,0 | 55,0 | 40,3 | 36,0 | 33,78 | 1,63 | 151-430-040 |
| 3,5 | 16 | 62,49 | 56,0 | 23,5 | 19,0 | 45,0 | 18,0 | 91,0 | 43,6 | 41,0 | 22,30 | 0,47 | 151-435-016 |
| | 40 | 142,59 | 140,0 | 23,5 | 26,0 | 80,0 | 25,0 | 62,0 | 44,7 | 40,0 | 37,25 | 2,37 | 151-435-040 |
| 4,0 | 16 | 71,42 | 64,0 | 27,0 | 21,5 | 52,0 | 20,0 | 104,0 | 50,0 | 47,0 | 25,48 | 0,72 | 151-440-016 |
| | 40 | 162,97 | 160,0 | 27,0 | 30,0 | 90,0 | 30,0 | 72,0 | 52,5 | 46,0 | 43,71 | 3,56 | 151-440-040 |
| 4,5 | 16 | 80,35 | 72,0 | 30,0 | 23,5 | 60,0 | 22,0 | 116,0 | 54,9 | 52,0 | 27,67 | 1,04 | 151-445-016 |
| | 40 | 183,34 | 180,0 | 30,0 | 34,0 | 100,0 | 35,0 | 81,0 | 59,0 | 52,0 | 49,18 | 4,98 | 151-445-040 |
| 5,0 | 16 | 89,28 | 80,0 | 33,0 | 26,0 | 65,0 | 25,0 | 129,0 | 60,8 | 58,0 | 30,86 | 1,37 | 151-450-016 |
| | 40 | 203,71 | 200,0 | 33,0 | 36,0 | 110,0 | 40,0 | 88,0 | 63,4 | 56,0 | 52,64 | 6,60 | 151-450-040 |
| 6,0 | 16 | 107,16 | 96,0 | 36,5 | 26,8 | 80,0 | 25,0 | 150,0 | 65,5 | 62,0 | 32,23 | 2,48 | 151-460-016 |
| | 40 | 244,44 | 240,0 | 36,5 | 34,0 | 125,0 | 40,0 | 95,0 | 64,5 | 55,0 | 52,57 | 12,35 | 151-460-040 |

Sollten Sie andere Abmessungen benötigen, helfen Ihnen unsere Konstrukteure gerne weiter.

If you need other dimensions - please contact our engineering department.

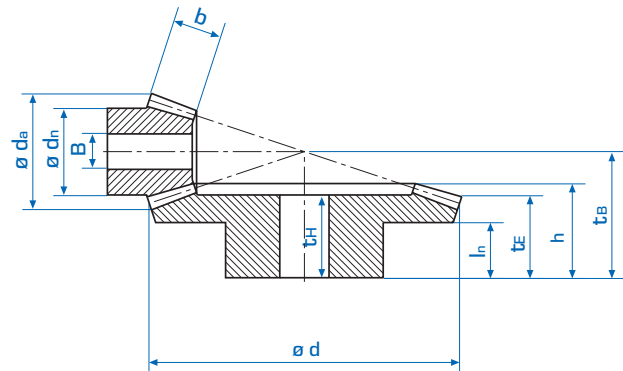
Kegelräder

Bevel gears

Ratio
i 1:3
straight teeth
pressure angle 20°
Shaft angle 90°
 Steel: 1.0503 [C 45]

Übersetzung
 i 1:3

geradverzahnt
 Eingriffswinkel 20°
 Achsenwinkel 90°
 mit balligtragenden
 Zahnflanken
 Stahl: 1.0503 [C 45]



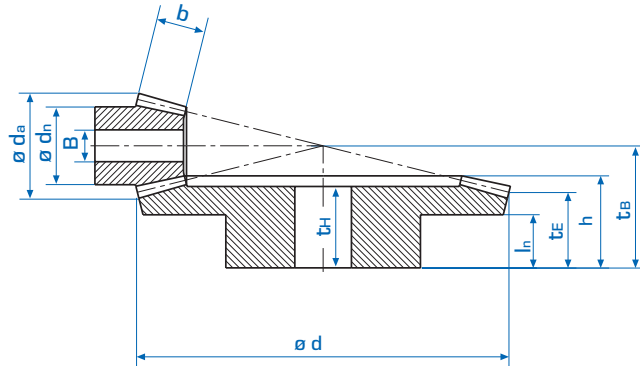
| Modul | Zähnez. | d_a | d | b | l_n | d_n | B | t_B | h | t_H | t_E | [kg] | Bestell Nr. |
|--------|-----------|--------|-------|------|-------|-------|------|-------|------|-------|-------|-------|-------------|
| Module | No. teeth | d_a | d | b | l_n | d_n | B | t_B | h | t_H | t_E | [kg] | Part No. |
| 1,0 | 15 | 16,90 | 15,0 | 7,0 | 8,0 | 12,5 | 5,0 | 31,0 | 15,4 | 14,5 | 8,82 | 0,012 | 151-510-015 |
| | 45 | 45,63 | 45,0 | 7,0 | 10,0 | 28,0 | 10,0 | 22,0 | 17,4 | 15,5 | 15,45 | 0,102 | 151-510-045 |
| 1,5 | 15 | 25,35 | 22,5 | 10,0 | 11,6 | 19,0 | 8,0 | 46,0 | 22,1 | 21,0 | 12,72 | 0,039 | 151-515-015 |
| | 45 | 68,45 | 67,5 | 10,0 | 14,5 | 40,0 | 14,0 | 31,0 | 23,9 | 21,5 | 21,17 | 0,300 | 151-515-045 |
| 2,0 | 15 | 33,79 | 30,0 | 14,0 | 14,0 | 25,0 | 12,0 | 60,0 | 28,7 | 27,0 | 15,63 | 0,082 | 151-520-015 |
| | 45 | 91,26 | 90,0 | 14,0 | 20,0 | 50,0 | 18,0 | 41,0 | 31,7 | 28,0 | 27,89 | 0,632 | 151-520-045 |
| 2,5 | 15 | 42,24 | 37,5 | 17,5 | 15,5 | 31,0 | 14,0 | 73,0 | 33,8 | 32,0 | 17,54 | 0,155 | 151-525-015 |
| | 45 | 114,08 | 112,5 | 17,5 | 22,0 | 60,0 | 20,0 | 48,0 | 36,4 | 32,0 | 31,62 | 1,15 | 151-525-045 |
| 3,0 | 15 | 50,68 | 45,0 | 21,0 | 17,5 | 38,0 | 16,0 | 86,0 | 39,0 | 37,0 | 19,45 | 0,275 | 151-530-015 |
| | 45 | 136,89 | 135,0 | 21,0 | 25,0 | 70,0 | 22,0 | 56,0 | 42,1 | 37,0 | 36,34 | 1,90 | 151-530-045 |
| 3,5 | 15 | 59,13 | 52,5 | 24,5 | 20,0 | 44,0 | 18,0 | 100,0 | 45,2 | 43,0 | 22,35 | 0,44 | 151-535-015 |
| | 45 | 159,71 | 157,5 | 24,5 | 28,0 | 80,0 | 25,0 | 64,0 | 47,8 | 42,0 | 41,07 | 2,95 | 151-535-045 |
| 4,0 | 15 | 67,58 | 60,0 | 28,0 | 22,5 | 50,0 | 20,0 | 114,0 | 51,4 | 49,0 | 25,26 | 0,65 | 151-540-015 |
| | 45 | 182,52 | 180,0 | 28,0 | 32,0 | 90,0 | 30,0 | 73,0 | 54,5 | 48,0 | 46,79 | 4,32 | 151-540-045 |
| 4,5 | 15 | 76,03 | 67,5 | 31,0 | 24,5 | 55,0 | 22,0 | 128,0 | 57,1 | 54,0 | 28,17 | 0,91 | 151-545-015 |
| | 45 | 205,34 | 202,5 | 31,0 | 35,0 | 105,0 | 35,0 | 81,0 | 60,1 | 53,0 | 51,52 | 6,18 | 151-545-045 |
| 5,0 | 15 | 84,48 | 75,0 | 34,0 | 27,0 | 60,0 | 25,0 | 142,0 | 62,8 | 60,0 | 31,08 | 1,21 | 151-550-015 |
| | 45 | 228,16 | 225,0 | 34,0 | 38,0 | 120,0 | 40,0 | 89,0 | 65,6 | 58,0 | 56,24 | 8,66 | 151-550-045 |
| 6,0 | 15 | 101,40 | 90,0 | 41,0 | 27,5 | 75,0 | 25,0 | 165,0 | 70,2 | 66,0 | 31,89 | 2,42 | 151-560-015 |
| | 45 | 273,78 | 270,0 | 41,0 | 35,0 | 140,0 | 45,0 | 98,0 | 70,0 | 60,0 | 58,69 | 17,51 | 151-560-045 |

Kegelräder

Bevel gears

Ratio
i 1:4
 straight teeth
 pressure angle 20°
 Shaft angle 90°
 Steel: 1.0503 [C 45]

Übersetzung
i 1:4
 geradverzahnt
 Eingriffswinkel 20°
 Achsenwinkel 90°
 mit balligtragenden
 Zahnflanken
 Stahl: 1.0503 [C 45]



| Modul | Zähnez. | d_a | d | b | l_n | d_n | B | t_B | h | t_H | t_E | [kg] | Bestell Nr. |
|--------|-----------|--------|-------|------|-------|-------|------|-------|------|-------|-------|-------|-------------|
| Module | No. teeth | | | | | | | | | | | | Part No. |
| 1,0 | 15 | 16,94 | 15,0 | 9,0 | 7,7 | 12,5 | 5,0 | 38,0 | 16,9 | 16,5 | 8,24 | 0,012 | 151-710-015 |
| | 60 | 60,49 | 60,0 | 9,0 | 10,0 | 35,0 | 12,0 | 23,0 | 18,4 | 16,5 | 16,47 | 0,195 | 151-710-060 |
| 1,5 | 15 | 25,41 | 22,5 | 12,0 | 11,5 | 19,0 | 8,0 | 57,0 | 23,9 | 23,0 | 12,36 | 0,042 | 151-715-015 |
| | 60 | 90,74 | 90,0 | 12,0 | 15,5 | 50,0 | 16,0 | 33,0 | 25,7 | 23,0 | 23,21 | 0,570 | 151-715-060 |
| 2,0 | 15 | 33,88 | 30,0 | 16,0 | 14,5 | 25,0 | 12,0 | 75,0 | 30,8 | 30,0 | 15,48 | 0,092 | 151-720-015 |
| | 60 | 120,97 | 120,0 | 16,0 | 22,0 | 65,0 | 20,0 | 45,0 | 35,3 | 32,0 | 31,94 | 1,335 | 151-720-060 |
| 2,5 | 15 | 42,35 | 37,5 | 20,0 | 17,0 | 31,0 | 14,0 | 93,0 | 37,8 | 36,0 | 18,60 | 0,180 | 151-725-015 |
| | 60 | 151,21 | 150,0 | 20,0 | 25,0 | 80,0 | 22,0 | 53,0 | 40,9 | 36,0 | 36,73 | 2,37 | 151-725-060 |
| 3,0 | 15 | 50,82 | 45,0 | 24,0 | 20,0 | 38,0 | 16,0 | 111,0 | 44,8 | 43,0 | 21,73 | 0,325 | 151-730-015 |
| | 60 | 181,45 | 180,0 | 24,0 | 28,0 | 95,0 | 28,0 | 62,0 | 47,4 | 42,0 | 42,41 | 4,06 | 151-730-060 |
| 3,5 | 15 | 59,29 | 52,5 | 28,0 | 23,0 | 44,0 | 18,0 | 129,0 | 51,7 | 50,0 | 24,85 | 0,515 | 151-735-015 |
| | 60 | 211,69 | 210,0 | 28,0 | 30,0 | 110,0 | 32,0 | 69,0 | 52,0 | 46,0 | 46,15 | 6,16 | 151-735-060 |
| 4,0 | 15 | 67,76 | 60,0 | 32,0 | 23,5 | 48,0 | 20,0 | 145,0 | 56,8 | 55,0 | 25,97 | 0,860 | 151-740-015 |
| | 60 | 241,92 | 240,0 | 32,0 | 35,0 | 125,0 | 35,0 | 80,0 | 60,6 | 53,0 | 53,88 | 9,06 | 151-740-060 |
| 4,5 | 15 | 76,23 | 67,5 | 36,0 | 25,5 | 55,0 | 22,0 | 162,0 | 62,9 | 60,0 | 28,09 | 1,24 | 151-745-015 |
| | 60 | 272,16 | 270,0 | 36,0 | 37,5 | 140,0 | 40,0 | 88,0 | 66,2 | 57,0 | 58,62 | 12,95 | 151-745-060 |
| 5,0 | 15 | 84,70 | 75,0 | 40,0 | 28,1 | 60,0 | 25,0 | 180,0 | 69,7 | 67,0 | 31,21 | 1,76 | 151-750-015 |
| | 60 | 302,40 | 300,0 | 40,0 | 38,0 | 160,0 | 45,0 | 95,0 | 70,8 | 62,0 | 62,35 | 17,82 | 151-750-060 |
| 6,0 | 15 | 101,64 | 90,0 | 45,0 | 28,1 | 75,0 | 25,0 | 210,0 | 74,7 | 71,0 | 31,45 | 2,42 | 151-760-015 |
| | 60 | 362,88 | 360,0 | 45,0 | 38,0 | 180,0 | 50,0 | 103,0 | 73,3 | 62,0 | 63,82 | 25,15 | 151-760-060 |

Sollten Sie andere Abmessungen benötigen, helfen Ihnen unsere Konstrukteure gerne weiter.

If you need other dimensions - please contact our engineering department.

Kegelräder Kunststoff gespritzt

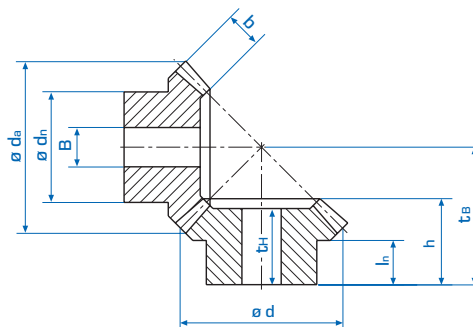
Moulded bevel gears

Ratio
i 1:1
straight teeth
pressure angle 20°
Shaft angle 90°
Injection moulded
Acetal Resin
[Hostaform C]

Übersetzung

i 1:1

geradverzahnt
 Eingriffswinkel 20°
 Achsenwinkel 90°
 mit balligtragenden
 Zahnflanken
 Azetalharz
 [Hostaform C]
 gespritzt



| Modul | Zähnez. | | | | | | | | | | Bestell Nr. | |
|--------|-----------|-------|------|------|-------|-------|------|-------|------|-------|-------------|-------------|
| Module | No. teeth | d_a | d | b | l_n | d_n | B | t_B | h | t_H | [kg] | Part No. |
| 0,5 | 16 | 8,7 | 8,0 | 2,0 | 6,0 | 7,0 | 3,0 | 10,5 | 8,0 | 8,0 | 0,001 | 159-105-016 |
| 1,0 | 16 | 17,6 | 16,0 | 4,7 | 8,0 | 12,0 | 5,0 | 18,4 | 13,6 | 13,6 | 0,002 | 159-110-016 |
| | 30 | 31,4 | 30,0 | 7,2 | 7,5 | 15,0 | 6,0 | 24,8 | 15,3 | 12,9 | 0,006 | 159-110-030 |
| 1,5 | 16 | 26,4 | 24,0 | 7,0 | 10,0 | 18,5 | 8,0 | 25,8 | 18,4 | 16,2 | 0,006 | 159-115-016 |
| 2,0 | 16 | 34,9 | 32,0 | 10,0 | 9,6 | 21,9 | 10,0 | 30,4 | 21,2 | 18,3 | 0,011 | 159-120-016 |
| 2,5 | 16 | 43,5 | 40,0 | 12,3 | 11,5 | 25,2 | 12,0 | 37,0 | 25,5 | 22,9 | 0,019 | 159-125-016 |
| 3,0 | 16 | 52,3 | 48,0 | 13,8 | 13,2 | 28,8 | 14,0 | 43,0 | 29,2 | 25,8 | 0,030 | 159-130-016 |
| 3,5 | 16 | 61,4 | 56,0 | 15,8 | 14,4 | 33,3 | 18,0 | 49,5 | 33,1 | 28,1 | 0,048 | 159-135-016 |

Kegelräder Kunststoff gespritzt

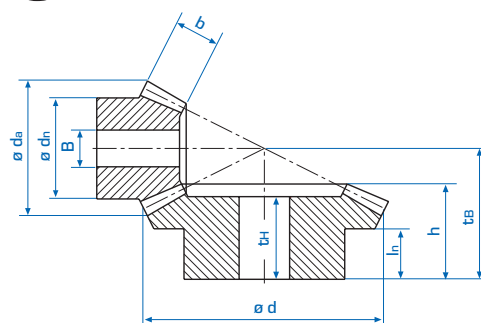
Moulded bevel gears

Ratio
i 1:2
straight teeth
pressure angle 20°
Shaft angle 90°
Injection moulded
Acetal Resin
[Hostaform C]

Übersetzung

i 1:2

geradverzahnt,
 Eingriffswinkel 20°
 Achsenwinkel 90°
 mit balligtragenden
 Zahnflanken
 Azetalharz
 [Hostaform C]
 gespritzt



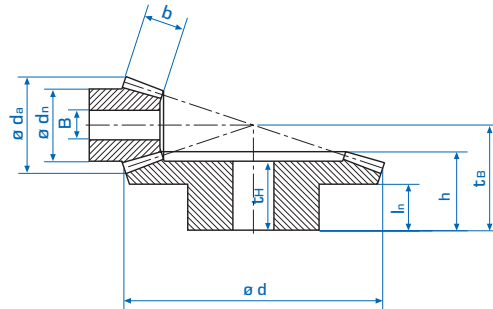
| Modul | Zähnez. | | | | | | | | | | Bestell Nr. | |
|--------|-----------|-------|------|------|-------|-------|------|-------|------|-------|-------------|-------------|
| Module | No. teeth | d_a | d | b | l_n | d_n | B | t_B | h | t_H | [kg] | Part No. |
| 1,0 | 15 | 16,8 | 15,0 | 6,6 | 10,6 | 12,2 | 5,0 | 26,4 | 17,0 | 17,0 | 0,002 | 159-310-015 |
| | 30 | 31,1 | 30,0 | 6,6 | 9,1 | 18,0 | 8,0 | 20,9 | 16,2 | 14,8 | 0,007 | 159-310-030 |
| 1,5 | 15 | 25,4 | 22,5 | 10,5 | 11,5 | 17,0 | 8,0 | 35,8 | 22,8 | 22,8 | 0,007 | 159-315-015 |
| | 30 | 46,4 | 45,0 | 10,5 | 9,6 | 23,4 | 10,0 | 26,2 | 19,5 | 17,5 | 0,018 | 159-315-030 |
| 2,0 | 15 | 33,6 | 30,0 | 14,6 | 11,8 | 22,5 | 10,0 | 44,2 | 27,0 | 26,0 | 0,013 | 159-320-015 |
| | 30 | 62,2 | 60,0 | 14,6 | 11,8 | 30,2 | 12,0 | 32,6 | 24,2 | 22,6 | 0,040 | 159-320-030 |
| 2,5 | 15 | 42,0 | 37,5 | 17,3 | 13,0 | 26,5 | 12,0 | 53,3 | 31,2 | 29,6 | 0,023 | 159-325-015 |
| | 30 | 77,3 | 75,0 | 17,3 | 15,0 | 36,1 | 16,0 | 40,5 | 29,5 | 27,5 | 0,077 | 159-325-030 |
| 3,0 | 15 | 50,3 | 45,0 | 20,5 | 14,8 | 31,2 | 14,0 | 63,3 | 36,3 | 35,0 | 0,037 | 159-330-015 |
| | 30 | 93,0 | 90,0 | 20,5 | 19,0 | 45,0 | 18,0 | 49,5 | 37,0 | 34,2 | 0,135 | 159-330-030 |

Kegelräder Kunststoff gespritzt

Moulded bevel gears

Ratio
i 1:3
 straight teeth
 pressure angle 20°
 Shaft angle 90°
 Injection moulded
 Acetal Resin
 [Hostaform C]

Übersetzung
 i 1:3
 geradverzahnt
 Eingriffswinkel 20°
 Achsenwinkel 90°
 mit balligtragenden
 Zahnflanken
 Azetalharz
 [Hostaform C]
 gespritzt



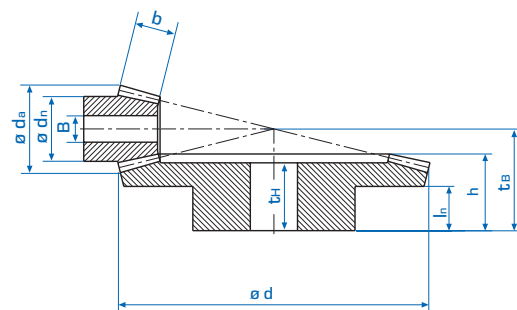
| Modul | Zähnez. | | | | | | | | | | | Bestell Nr. |
|--------|-----------|-------|------|------|-------|-------|------|-------|------|-------|-------|-------------|
| Module | No. teeth | d_a | d | b | l_n | d_n | B | t_B | h | t_H | [kg] | Part No. |
| 1,0 | 15 | 16,6 | 15,0 | 9,2 | 11,0 | 12,3 | 5,0 | 34,3 | 20,4 | 20,4 | 0,003 | 159-510-015 |
| | 45 | 46,1 | 45,0 | 9,2 | 9,6 | 23,4 | 10,0 | 22,7 | 18,2 | 16,5 | 0,018 | 159-510-045 |
| 1,5 | 15 | 25,1 | 22,5 | 14,0 | 12,5 | 17,2 | 8,0 | 47,9 | 26,8 | 26,8 | 0,008 | 159-515-015 |
| | 45 | 68,8 | 67,5 | 14,0 | 11,5 | 30,4 | 12,0 | 29,4 | 23,0 | 21,5 | 0,048 | 159-515-045 |
| 2,0 | 10 | 24,0 | 20,0 | 12,5 | 12,0 | 16,6 | 6,0 | 43,7 | 25,0 | 25,0 | 0,006 | 159-520-010 |
| | 30 | 61,7 | 60,0 | 12,5 | 11,5 | 30,3 | 12,0 | 28,0 | 22,5 | 20,2 | 0,038 | 159-520-030 |
| 2,5 | 10 | 29,7 | 25,0 | 15,7 | 13,0 | 18,8 | 8,0 | 52,4 | 28,8 | 28,8 | 0,010 | 159-525-010 |
| | 30 | 77,2 | 75,0 | 15,7 | 15,5 | 36,1 | 18,0 | 35,7 | 29,0 | 25,2 | 0,067 | 159-525-030 |

Kegelräder Kunststoff gespritzt

Moulded bevel gears

Ratio
i 1:4
 straight teeth
 pressure angle 20°
 Shaft angle 90°
 Injection moulded
 Acetal Resin
 [Hostaform C]

Übersetzung
 i 1:4
 geradverzahnt
 Eingriffswinkel 20°
 Achsenwinkel 90°
 mit balligtragenden
 Zahnflanken
 Azetalharz
 [Hostaform C]
 gespritzt



| Modul | Zähnez. | | | | | | | | | | | Bestell Nr. |
|--------|-----------|-------|------|------|-------|-------|------|-------|------|-------|-------|-------------|
| Module | No. teeth | d_a | d | b | l_n | d_n | B | t_B | h | t_H | [kg] | Part No. |
| 1,0 | 10 | 12,0 | 10,0 | 8,2 | 9,3 | 7,8 | 4,0 | 30,1 | 17,7 | 17,7 | 0,001 | 159-710-010 |
| | 40 | 40,8 | 40,0 | 8,2 | 10,8 | 23,4 | 10,0 | 20,1 | 17,0 | 15,7 | 0,013 | 159-710-040 |
| 1,5 | 10 | 18,0 | 15,0 | 12,3 | 10,9 | 11,3 | 5,0 | 41,7 | 23,5 | 23,5 | 0,003 | 159-715-010 |
| | 40 | 61,2 | 60,0 | 12,3 | 12,8 | 30,4 | 12,0 | 26,2 | 21,7 | 20,0 | 0,031 | 159-715-040 |
| 2,0 | 10 | 23,8 | 20,0 | 16,3 | 12,8 | 14,3 | 6,0 | 54,0 | 28,9 | 28,9 | 0,006 | 159-720-010 |
| | 40 | 81,5 | 80,0 | 16,3 | 16,6 | 36,0 | 18,0 | 32,5 | 27,0 | 24,7 | 0,062 | 159-720-040 |